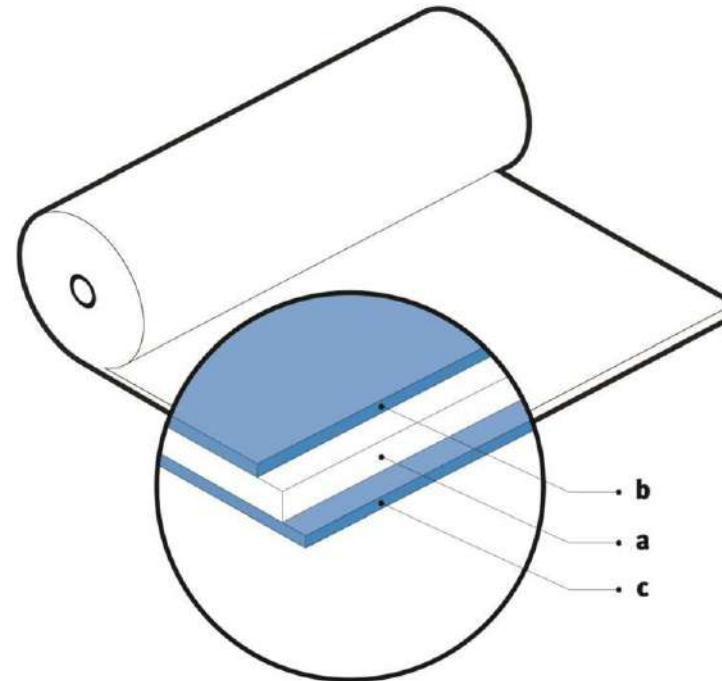


PET-AP201

Legend:

- b - metallization
- a - base material
- c - chemical treatment



The metallization will be performed with plasma pretreatment on the standard surface. The other side is chemical pretreated and can be used for printing with solvent based ink and lamination adhesive.

The film is appropriate to the current condition of the EU “framework regulation” for food contact materials, (EC) 1935/2004 and (EU) 10/2011 permitted. The requirements of the FDA regulation 21 CFR §177.1630 under the conditions set out in our current Declaration of Compliance. Before using this metalized film in a food contact article, please request the Declaration of Compliance.

EUROPEA GROUP FILM®

Europea de Film Plásticos 21, S.L., Rda. Maiols 29-31, 08192 St. Quirze del V., Barcelona.
Cristher Film, S.L., C. Velázquez, 46 Esc. C Int/ Izq. 28001, Madrid.

EUROPEAGROUPFILM



PET-AP201

The data and indications are laboratory values and represent our present best knowledge. A guaranteed performance with regards to the indicated values cannot be taken hereof. On request you will receive the product specification.

Properties	Unit	Test Method	typical value
Mechanical			
Thickness	Micron		12
Tensile Strength at break MD	N/mm ²	ISO 527-1 and ISO 527-3 sample type2	260
Tensile Strength at break TD	N/mm ²	ISO 527-1 and ISO 527-3 sample type2	260
Elongation at break MD	%	ISO 527-1 and ISO 527-3 sample type2	120
Elongation at break TD	%	ISO 527-1 and ISO 527-3 sample type2	120
Young's Modulus MD	N/mm ²	ISO 527-1 and ISO 527-3 sample type2	4500
Young's Modulus TD	N/mm ²	ISO 527-1 and ISO 527-3 sample type2	5000
Surface weight	g/m ²		17
Yield	m ² /kg		60
Density	g/cm ³	ASTM D 1505-68 Methode C	1,4
Thermal			
Shrinkage MD	%	DIN 40634	1,5
Shrinkage TD	%	DIN 40634	0,1
Optical			
Optical density		Macbeth / TD904 Rotfilter	2,2

MD = Machine direction, TD = Transverse direction